

Waste bin

Modern and elegant 43-litre bin



Range

Other bins

Product Code

WAS BIN 43 COM

Our white waste bin is modern, durable and easy to clean. It has a large waste holding capacity (43 litres / 11.36 gallons), while remaining compact and attractive.

The bin is made of three parts: base, cover and holder for the bin liner. Elegant and versatile, it comes with wall support (the fixing kit is included) and can also be used as a free-standing bin, to suit your space and needs.

The white bin fits seamlessly with our Ellipse White range of integrated washroom dispensers, ensuring modern and professional ambience.

Designed for washroom, office or other commercial environments where a waste bin is required, it provides practical solution for disposal of waste and promotes user hygiene.

The bin has a functional and modern design that makes a lasting impression on your clients.

Finishes available White

Benefits

Ease of service

- Simple design, including a holder for the bin liner that enables quick service
- A free-standing bin that can be easily fixed on the wall (fixing kit included)
- Made of durable and easy to clean plastic design with no dirt traps

Maximum hygiene

- Snap-in removable cover for easy cleaning
- Strong bin liners (tiger bags), suitable for various types of waste

End user satisfaction & image

- Open top design for easy disposal of waste
- Aesthetic cover designed to hide the contents of the bin
- Robust plastic body to withstand heavy daily use



FM 34822



EMS 53617

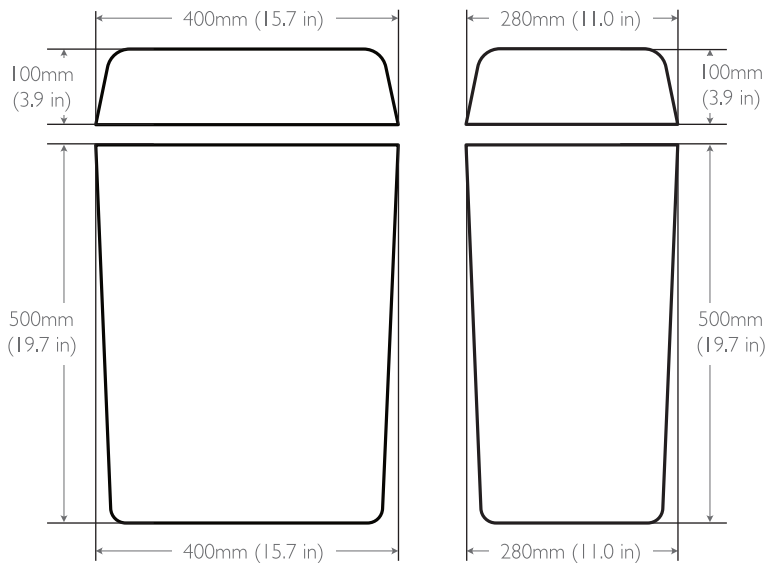


Kennedy

INTEGRATED HYGIENE SOLUTIONS

Technical Specifications

CAPACITY 43L



BASE

HEIGHT

500mm

WIDTH

400mm

DEPTH

280mm

WEIGHT

1.65kg

COVER

HEIGHT

100mm

WIDTH

400mm

DEPTH

280mm

WEIGHT

0.53kg

Materials

Polypropylene (PP)

Consumable

Tiger liner bags

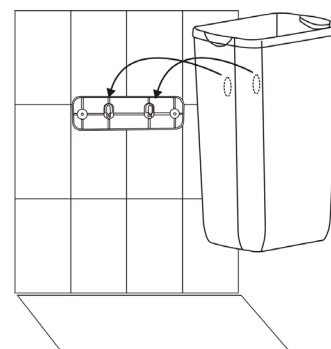
Packaging

The bin is packed into carton holding six units.

Product	Packed	Quantity per	Weight	Packed Weight	Measurements
Waste bin base	Carton	6	1.65 kg (3.64 lb)	10.25 kg (22.60 lb)	535 x 430 x 705 mm (47.2 x 16.9 x 27.7 in)
	Pallet	72			1200 x 1000 x 2220 mm (47.2 x 39.4 x 87.4 in)
Waste bin cover	Carton	6	0.53 kg (1.17 lb)	4.05 kg (8.93 lb)	445 x 430 x 310 mm (17.5 x 16.9 x 12.2 in)
	Euro Pallet	180			1200 x 800 x 2250 mm (47.2 x 31.5 x 88.6 in)
Waste Bin Support	Carton	6	0.08 kg (0.18 lb)	0.88 kg (1.94 lb)	330 x 150 x 400 mm (13 x 5.9 x 15.7 in)
	Euro Pallet	576			1200 x 800 x 2100 mm (47.2 x 31.5 x 82.7 in)

Wall mounting

The White bin comes with a fixing kit to mount it to a wall. For use as a free-standing bin, just place the cover to hide the fixing holes on the base.



Kennedy Hygiene Products Limited

Brookside, Uckfield, East Sussex, United Kingdom TN22 1YA

T +44 (0) 1825 768141 F +44 (0) 1825 768143 E sales@kennedy-hygiene.com

<https://kennedy-hygiene.com/>