

# TEKNA ELLIPSE

Mechanical retractable cotton roller towel cabinet



TEKNA ELLIPSE is the most advanced cotton roller towel hand drying solution available. It provides unrivalled hygiene, service and environmental benefits while delivering a 'comfort like home' hand drying experience for the end user.

TEKNA ELLIPSE features automatic retraction of each used roller towel portion and of the towel end and delivers 200 portions of clean towel from a standard 40m towel.

This system also helps protect the environment as it combines a towel cabinet based on eco-friendly engineering with the cotton towel, a natural biodegradable consumable.



## Finishes available



Arctic White Designer Grey Chrome

## Customised insert designs available



White Turquoise Red Beige Metal Carbon Wood Water Drops

## Benefits

### Hygiene & Image

- > Unique, modern and compact design
- > Automatic retraction of clean roller towel portion for each user
- > Clean roller towel isolated from and positioned above used towel

### Reliability & Durability

- > 40 years experience in cabinet engineering
- > Proven robust mechanism based upon the solid reputation of the "Integra", the industry's market leader in cabinets
- > Lockable cabinet to prevent unauthorised access

### Ease of Service

- > Instant towel check through transparent inspection windows
- > Locks located at both sides to maximise fitting options
- > Problem-free loading for guaranteed easy servicing

### Environmentally Friendly

- > Mechanical operation – no external power source required
- > Cotton towels are one and a half times less harmful to the environment than paper equivalents\*
- > 100% recyclable components

\*Source ETSA lifecycle analysis study 2007

For more information  
[www.kennedy-hygiene.co.uk](http://www.kennedy-hygiene.co.uk)



Kennedy

INTEGRATED HYGIENE SOLUTIONS

# TEKNA ELLIPSE

Mechanical retractable cotton roller towel cabinet



## Packaging info

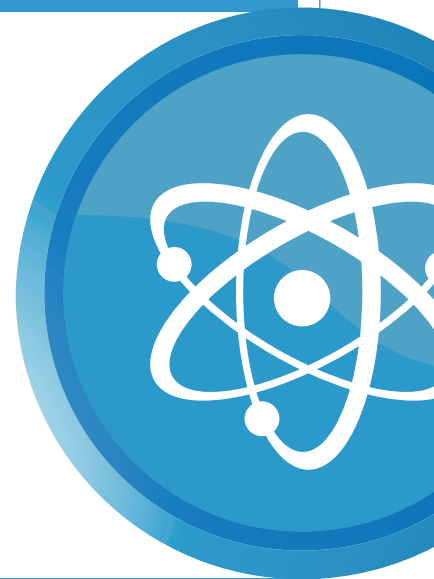
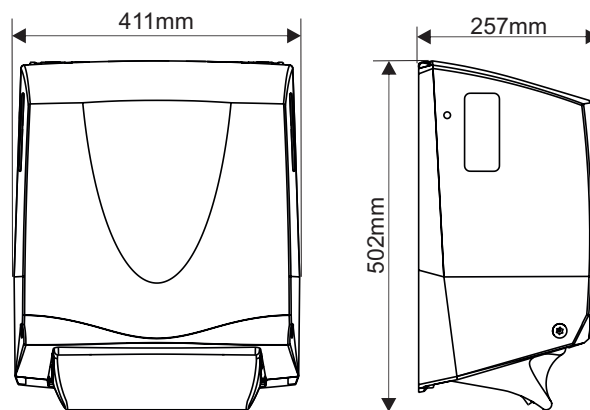
	<b>Plt. type</b>	<b>Packed</b>	<b>Qty Per</b>	<b>Weight/kg</b>	<b>Measurement in cm</b>
TEKNA ELLIPSE		Carton	1	8.4	50 x 43 x 26
	Std. Plt.	Pallet	40	388	120 x 100 x 208

## Technical drawings

**Materials:** Constructed from ABS, other engineering thermoplastics and metal fabrication where necessary for strength and reliability.

Cabinet can be recycled or disposed of in accordance with local regulations.

**Packing:** A single cabinet is packed into a double wall carton.



## Consumables

> 40m Standard Cotton Roller Towels

> 20m Cotton Roller Towels

Kennedy cotton roller towel dispensers – towel usage/service frequency

200 Towel Portions

Medium to high traffic

4-5 users per cabinet 3 times per day = towel change every 2 weeks

8-10 users per cabinet = weekly towel change

### **Kennedy Hygiene Products Limited**

Brookside

Uckfield

East Sussex TN22 1YA

United Kingdom

**T** +44 (0) 1825 768141

**F** +44 (0) 1825 768143

**E** [sales@kennedy-hygiene.com](mailto:sales@kennedy-hygiene.com)

