

SIGMA OBSIDIAN

Dual roll toilet paper dispenser made from recycled ABS plastic



Range

Hand drying

Product Code

TSD SIG

Sigma Obsidian is a dual roll toilet paper dispenser which ensures continuity of paper supply and provides high volume in a compact unit.

Sigma incorporates intelligent features for service, such as a special shield that automatically prevents access to the new toilet roll until the original roll is finished, which reduces paper consumption.

Made from recycled ABS plastic, Sigma is a robust and reliable dispenser, which comes with responsibly sourced consumables. The toilet paper rolls are Ecolabel certified, making it an ideal product for businesses that seek to reduce their carbon footprint, while offering customers an exceptional washroom experience.

Benefits

Environmentally friendly

- The cabinet is made from 83% recycled ABS of total plastic used
- Its components are recyclable
- Mechanical operation – no external power source required
- Toilet paper rolls are Ecolabel certified

Control of consumables

- A special shield automatically prevents access to the new roll until the original roll is finished
- Removable braking system means minimal waste

Ease of service

- Hinged cover for convenience and speed of service
- Practical inspection window shows when a refill is required
- One security key for the whole Kennedy range

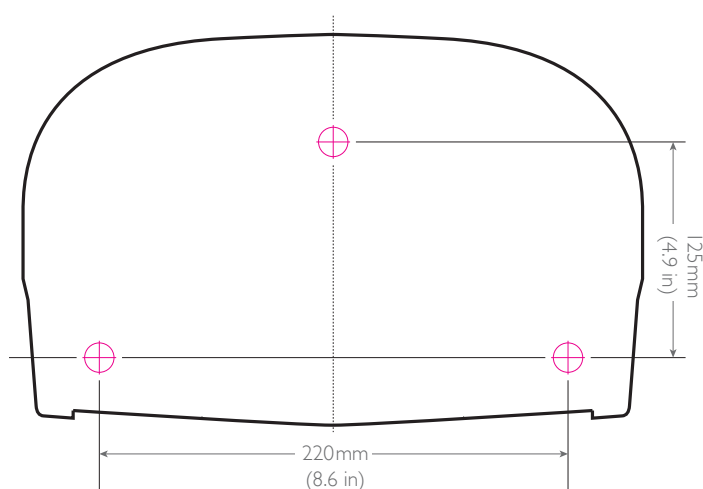
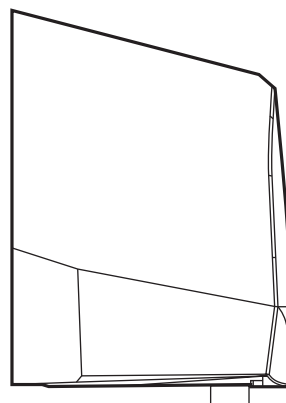
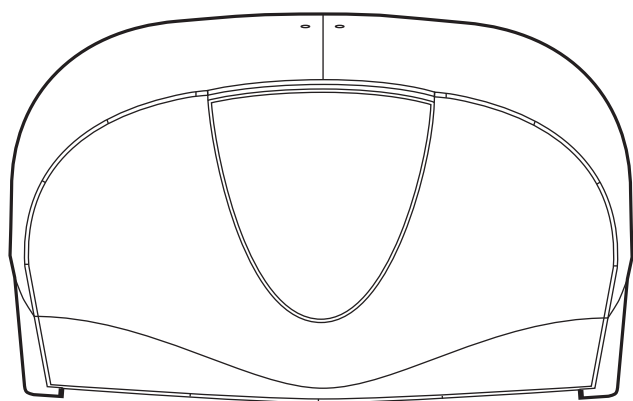
Hygiene and end user satisfaction

- Hygienic full cover offering tissue protection
- Serrated paper tear-off from either side of the unit



INTEGRATED HYGIENE SOLUTIONS

TECHNICAL SPECIFICATIONS



HEIGHT

197mm (7.7 in)

WIDTH

310mm (12.2 in)

DEPTH

143mm (5.6 in)

⊕ FIXING POINTS

∅ : 6mm (0.2 in)

Consumables

- Accepts range of standard toilet tissue rolls up to 140 mm (5.5 in) O/D and 115 mm (4.5 in) depth
- Accepts core diameters 28 – 46 mm (1.1 - 1.7 in) and coreless toilet rolls.

Materials

Constructed from 83% recycled ABS of total plastic used, and other engineering thermoplastics.

Dispenser can be recycled or disposed of in accordance with local regulations.

Packaging

Individual units packed in polybags with cardboard dividers in between them.

Product	Pallet type	Quantity per pallet	Packed	Quantity per carton	Weight individual	Weight of carton	Measurement carton dimensions
Sigma Obsidian	Standard	240	Carton	4	0.82kg (1.8 lb)	3.85kg (8.5 lb)	600 x 320 x 220 mm (23.6 x 12.6 x 8.6 in)



Kennedy Hygiene Products Limited

Brookside, Uckfield, East Sussex, United Kingdom TN22 1YA

T +44 (0) 1825 768141 F +44 (0) 1825 768143 E sales@kennedy-hygiene.com

<https://kennedy-hygiene.com/>