

SEATSAN OBSIDIAN

Dispenser for toilet seat sanitising foam made from recycled ABS plastic



Range	Product Code
Hand washing	TSS SSN

The Seatsan Obsidian dispenses virucidal /bactericidal toilet seat sanitising foam. The ultra-economical foam uses 30% less consumable than a comparable fluid sanitiser and kills 99.99% of bacteria found on toilet seats. The consumable also conforms to European bacterial and fungicidal standards.

Seatsan's error-proof refill loading system makes for easy service while flash-drying and smooth dispensing aid the end user. Made from recycled ABS plastic, the Seatsan is ideal for businesses seeking to reduce their carbon footprint, while offering customers an exceptional washroom experience.

Benefits

Hygiene and image

- Compact size and modern design that integrates with the Obsidian range
- Non-drip patented pump mechanism
- Foam meets European Standards EN 1275 and EN 1040
- Bactericide kills *Staphylococcus aureus*, *Pseudomonas aeruginosa* and *Candida albicans*

Environmentally friendly

- Made from 88% recycled ABS of total plastic used
- Its components are recyclable
- Mechanical operation – no external power source required

Ease of service

- Error-proof sanitising foam refill loading feature
- Hinged cover for operator convenience and speed of service
- Practical inspection window shows when a refill is required
- One security key for the whole Kennedy range
- Minimum maintenance required

Reliability and durability

- Straightforward design and use of highly durable ABS material
- Non-drip patented pump mechanism for foam soap

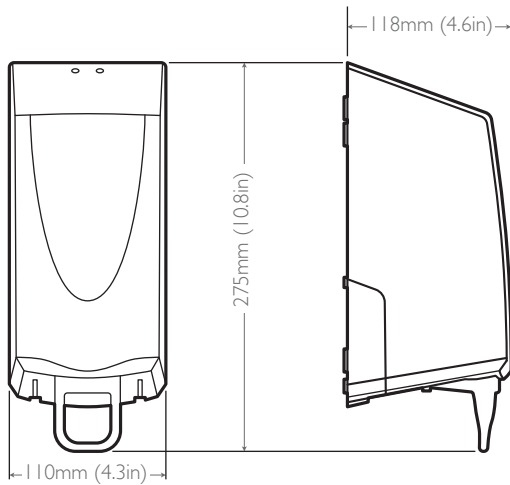
End user satisfaction

- Smooth dispensing foam alleviates irritating mis-sprays
- Flash-drying enables immediate toilet use



INTEGRATED HYGIENE SOLUTIONS

TECHNICAL SPECIFICATIONS



HEIGHT
275mm (10.8 in)

WIDTH
110mm (4.3 in)

DEPTH
118mm (4.6 in)

Consumables

800 ml / 2000 dose toilet seat sanitising foam.

Materials

Front cover made from 88% recycled ABS of total plastic used, and other fully recycled thermoplastics. The dispenser can be recycled or disposed of in accordance with local regulations.

Packaging

Individual units are packed in a polythene bag. Twelve units are packed in a box.

Product	Pallet type	Packed	Quantity per	Weight	Measurements
Seatsan Obsidian		Carton	12	6.40 kg (14.0lb)	500 x 340 x 230 mm (19.7 x 13.4 x 9.1 in)
	Euro	Pallet	504		



Kennedy Hygiene Products Limited

Brookside, Uckfield, East Sussex, United Kingdom TN22 1YA

T +44 (0) 1825 768141 **F** +44 (0) 1825 768143 **E** sales@kennedy-hygiene.com

<https://kennedy-hygiene.com/>