

Seatsan Ellipse

Dispenser for toilet seat sanitising foam



Range

Sanitising dispensers

Product Code

TSS SSN ELP

Seatsan Ellipse dispenses virucidal/bactericidal toilet seat sanitising foam.

The ultra-economical foam uses 30% less consumable than a comparable fluid sanitiser and kills 99.99% of bacteria found on toilet seats. The consumable also conforms to European bacterial and fungicidal standards.

The unit's error proof refill loading system makes for easy service while flash-drying and smooth dispensing aid the end user.

Finishes available

- White
- Designer Grey
- ⊕ Chrome
- Satin

Customised insert¹ designs are available in 8 options:

- White
- Turquoise
- Red
- Beige
- Metal
- Carbon
- Wood
- Water drops

Benefits

Maximum hygiene

- Non-drip patented pump mechanism
- Foam meets European Standards EN 1275 and EN 1040
- Bactericide kills *Staphylococcus aureus*, *Pseudomonas aeruginosa* and *Candida albicans*

End user satisfaction

- Smooth dispensing foam alleviates irritating mis-sprays
- Flash-drying enables immediate toilet use

Reliability & durability

- Straightforward design and use of highly durable ABS material
- Secure locking system to deter theft and guarantee content integrity

Ease of service

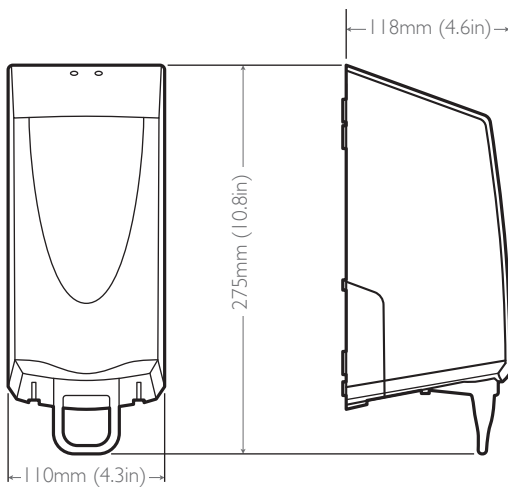
- Error-proof soap refill loading feature
- Hinged cover for operator convenience and speed of service
- Practical inspection window shows when a refill is required



INTEGRATED HYGIENE SOLUTIONS

¹ Customised inserts are available with the Arctic white finish. Designer grey and chrome finishes come with a black insert.

Technical Specifications



HEIGHT

275 mm (10.8 in)

WIDTH

110 mm (4.3 in)

DEPTH

118 mm (4.6 in)

Consumables

800ml / 2000 dose toilet seat sanitising foam.

Materials

Constructed fully from recyclable thermoplastics.

Packaging

Individual units are packed in a polythene bag. Twelve units are packed in a box.

Product	Pallet type	Packed	Quantity per carton/pallet	Weight	Measurements
Seatsan Ellipse	Standard	Carton	12 / 504	6.40 kg (14.0 lb)	500 x 340 x 230mm (19.7 x 13.4 x 9.1in)



Kennedy Hygiene Products Limited

Brookside, Uckfield, East Sussex, United Kingdom TN22 1YA

T +44 (0) 1825 768141 **F** +44 (0) 1825 768143 **E** sales@kennedy-hygiene.com

<https://kennedy-hygiene.com/>