

SAVONA OBSIDIAN

Liquid soap dispenser made from recycled ABS plastic



Range	Product Code
Hand washing	SPD SAV

The Savona Obsidian is a classically designed liquid soap dispenser suitable for all hand washing environments. This 1 litre soap dispenser is available in both cartridge and direct fill versions. Robust and reliable, it has strong features for both service and hygiene. Savona is available with a range of consumables from regular, cosmetic and anti-bacterial soaps to sanitising gel.

Made from recycled ABS plastic, and with Ecolabel certified soap lotions, the Savona is ideal for businesses seeking to reduce their carbon footprint, while offering customers an exceptional washroom experience.

Benefits

Hygiene and image

- Compact size and modern design that integrates with the Obsidian range
- Each cartridge comes with its own nozzle ensuring germ/blockage-free replacement
- Soap has no contact with the unit and comes directly from nozzle to hand

Environmentally friendly

- Made from 82% recycled ABS of total plastic used
- Its components are recyclable
- Mechanical operation – no external power source required
- Ecolabel certified soap lotions

Ease of service

- Hinged cover for operator convenience and speed of service
- Practical inspection window shows when a refill is required
- One security key for the whole Kennedy range
- Minimum maintenance required

Reliability and durability

- Use of highly durable material
- Non-drip patented pump mechanism
- Locking system to deter theft and guarantee content integrity

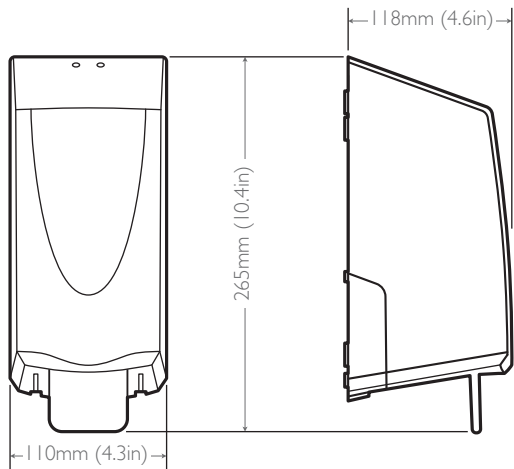
End user satisfaction

- Range of versatile soap lotions suitable for various environments
- Push or pull operation options.



INTEGRATED HYGIENE SOLUTIONS

TECHNICAL SPECIFICATIONS



HEIGHT
265mm (10.4 in)

WIDTH
110mm (4.3 in)

DEPTH
118mm (4.6 in)

Consumables

- Kennedy Anti-bacterial Soap Hand Lotion 1L
- Kennedy Cosmetic Soap Hand Lotion 1L
- Kennedy Hand Sanitising Hand Gel 1L
- Kennedy Regular Soap Hand Lotion 1L

Materials

Made from 82% recycled ABS of total plastic used, and other engineering thermoplastics.

The dispenser can be recycled or disposed of in accordance with local regulations.

Packaging

Individual units are packed in a polythene bag with a fixing pack. Twelve units and one installation/operating instruction sheet are packed in a carton. Individual weight of unit: 460 g

Product	Pallet type	Packed	Quantity per	Weight	Measurements
Savona Obsidian		Carton	12	6 kg (13.2 lb)	496 x 336 x 241 mm (19.5 x 13.2 x 9.5 in)



Kennedy Hygiene Products Limited

Brookside, Uckfield, East Sussex, United Kingdom TN22 1YA

T +44 (0) 1825 768141 F +44 (0) 1825 768143 E sales@kennedy-hygiene.com

<https://kennedy-hygiene.com/>