

SAVONA FOAM OBSIDIAN

Ultra-economical foam soap dispenser made from recycled ABS plastic



Range

Hand washing

Product Code

SPD SAV FOA

The Savona Foam provides a large volume of foam soap in a single dose, making this an ultra-economical choice for hand washing. Designed for all hand washing environments, the dispenser has a large 800 ml / 2000 dose cartridge and incorporates a number of service friendly features.

Made from recycled ABS plastic and with Ecolabel certified foam soap, this product is ideal for businesses seeking to reduce their carbon footprint, while offering customers an exceptional washroom experience.

Benefits

Hygiene and image

- Compact size and modern design that integrates with the Obsidian range
- Each cartridge comes with its own nozzle ensuring germ/blockage-free replacement
- Soap has no contact with the unit and comes directly from nozzle to hand

Environmentally friendly

- Made from 88% recycled ABS of total plastic used
- Its components are recyclable
- Mechanical operation – no external power source required
- Ecolabel certified foam soaps

Ease of service

- Error-proof soap refill loading
- Hinged cover for operator convenience and speed of service
- Practical inspection window shows when a refill is required
- One security key for the whole Kennedy range
- Minimum maintenance required

Reliability and durability

- Straightforward design
- Use of highly durable material
- Non-drip patented pump mechanism for foam soap
- Locking system to deter theft and guarantee content integrity

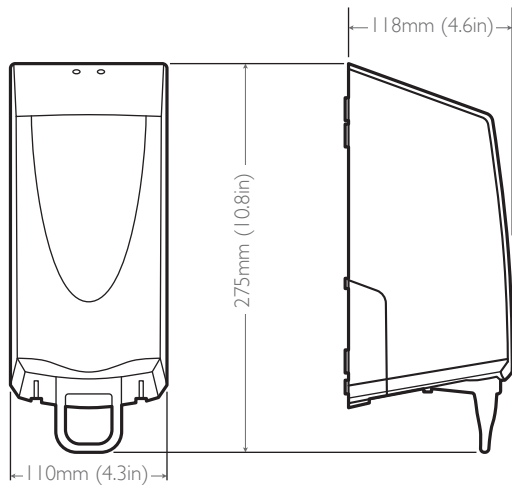
End user satisfaction

- Luxurious and rich feeling foaming soap lotion



INTEGRATED HYGIENE SOLUTIONS

TECHNICAL SPECIFICATIONS



HEIGHT

275mm (10.8 in)

WIDTH

110mm (4.3 in)

DEPTH

118mm (4.6 in)

Consumables

- Kennedy foam soap 800 ml
- Kennedy ECOLABEL foam soap 800 ml

Materials

Made from 88% recycled ABS of total plastic used, and from other recycled thermoplastics.

The dispenser can be recycled or disposed of in accordance with local regulations.

Packaging

Individual units are packed in a polythene bag with a fixing pack. Twelve units and one installation/operating instruction sheet are packed in a carton. Individual weight of unit: 470g

Product	Pallet type	Packed	Quantity per	Weight	Measurements
Savona Foam Obsidian		Carton	12	6.4 kg (14.1 lb)	496 x 336 x 241 mm (19.5 x 13.2 x 9.5 in)



Kennedy Hygiene Products Limited

Brookside, Uckfield, East Sussex, United Kingdom TN22 1YA

T +44 (0) 1825 768141 F +44 (0) 1825 768143 E sales@kennedy-hygiene.com

<https://kennedy-hygiene.com/>