

# Savona Ellipse Foam

Ultra-economical dose foam soap dispenser



## Range

Soap dispensers

## Product Code

SPD SAV ELP FOA

The Savona Ellipse Foam provides a large volume of foam in a single dose, making this an ultra-economical choice for hand washing.

Designed for all hand washing environments, the dispenser has a large 800 ml/2000 dose cartridge and incorporates a number of service friendly features.

\* Please note that life expectancy of both pump and nozzle will be dependent on frequency of use. These parts may need to be replaced during the life of the dispenser.

## Finishes available

- White
- Designer Grey
- Chrome
- Satin

## Customised insert<sup>1</sup> designs are available in 8 options:

- White
- Turquoise
- Red
- Beige
- Metal
- Carbon
- Wood
- Water drops

## Benefits

### Maximum hygiene

- Each cartridge comes with its own nozzle ensuring germ/blockage-free replacement
- Soap has no contact with the unit and comes directly from nozzle to hand
- Patented one-way valve prevents soap from returning to the cartridge

### Reliability & durability

- Straightforward design and use of highly durable material
- Non-drip patented pump mechanism for foam soap
- Locking system to deter theft and guarantee content integrity

### End user satisfaction

- Luxurious and rich feeling foaming soap lotion

### Ease of service

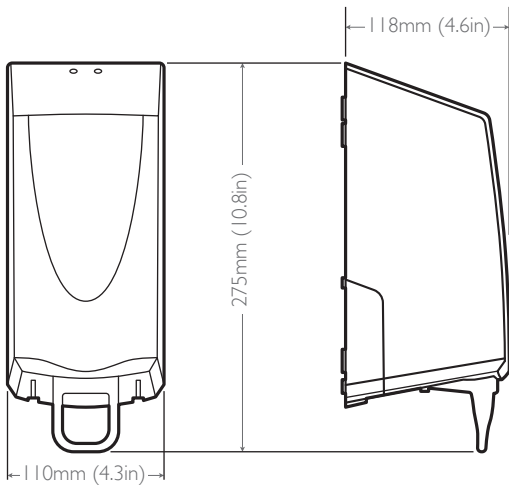
- Error-proof soap refill loading
- Hinged cover for operator convenience and speed of service
- Practical inspection window shows when a refill is required
- One security key for the whole Kennedy range



INTEGRATED HYGIENE SOLUTIONS

<sup>1</sup> Customised inserts are available with the Arctic white finish. Designer grey and chrome finishes come with a black insert.

# Technical Specifications



## HEIGHT

275 mm (10.8 in)

## WIDTH

110 mm (4.3 in)

## DEPTH

118 mm (4.6 in)

## Consumables

Kennedy Foam Soap Hand Lotion 800 ml

## Materials

Constructed from recyclable thermoplastics.

## Packaging

Individual units are packed in a polythene bag with a fixing pack. Twelve units and one installation/operating instruction sheet are packed in a carton. Individual weight of unit: 470g

Product	Packed	Quantity per carton	Weight per carton	Measurements per carton
Savona Ellipse Foam	Carton	12	6.4 kg (14.1 lb)	496 x 336 x 241 mm (19.5 x 13.2 x 9.5 in)



**Kennedy Hygiene Products Limited**

Brookside, Uckfield, East Sussex, United Kingdom TN22 1YA

**T** +44 (0) 1825 768141 **F** +44 (0) 1825 768143 **E** [sales@kennedy-hygiene.com](mailto:sales@kennedy-hygiene.com)

<https://kennedy-hygiene.com/>