

# Pod

## Auto cut reserve paper roll dispenser



### Range

Hand drying

### Product Code

CAB POD MK2 RSV

Pod is a unique reserve roll mechanical auto cut paper dispenser that has one of the largest paper capacities on the market. Thanks to its patented reserve roll loading system, a new roll can be loaded before the previous one has been fully used, thus making sure no paper is wasted. This reserve feature can save up to 20% of paper consumption\*.

A compact reserve paper hand towel dispenser that has been designed to accommodate different lengths, 1 and 2-ply paper. With its modern design, the Pod is an excellent choice for an efficient and stylish hand drying. It is also available in a standard, single roll variant.

### Finishes available

- Arctic White
- Designer Grey
- Chrome
- Satin

## Benefits

### Hygiene and image

- Single-use paper portion - the paper self presents enabling maximum hygiene
- Automatic paper follow-on feature for presenting paper in advance of the next operation
- Compact size and modern design that integrates the Ellipse range

### Reliability and durability

- Durable ABS material and stainless-steel blades
- Anti-vandalism clutch feature on the handle which protects the mechanism from any damage through excess force.

### Ease of service

- Transparent ABS cover allows for fast refill status checks
- Single sheet dispensing ensuring that only the towels needed are used
- Easy and fast loading of paper rolls
- Left / right hand lock with one security key for the whole range
- Minimum maintenance required

### Freedom and control of consumables

- Takes most standard paper rolls available on the market; can dispense 1 or 2-ply paper

- Reserve roll loading system preventing paper shortage and waste
- Automatic reserve feature – once the roll reaches 9.5cm (3.7in), can be put into the reserve position and a new roll loaded, the new roll automatically loads itself once the first roll has depleted

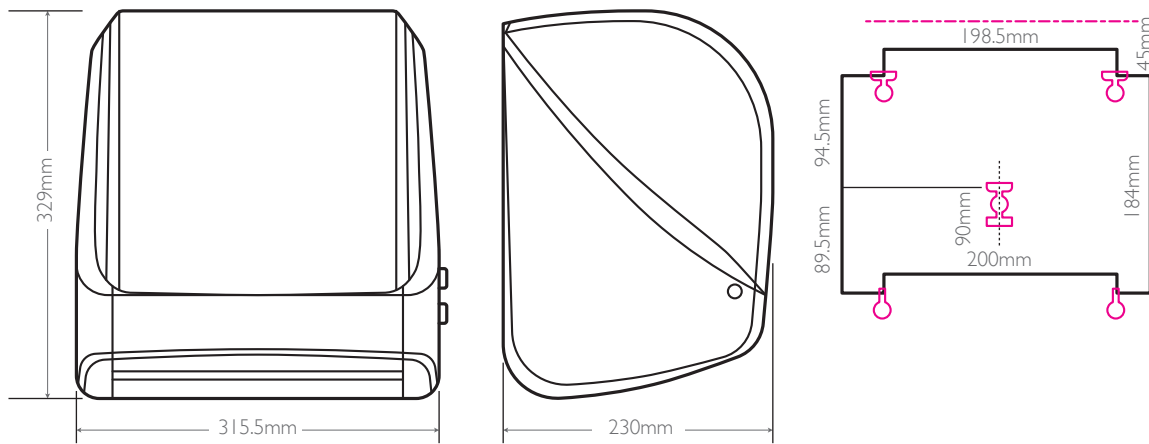


**Kennedy**

INTEGRATED HYGIENE SOLUTIONS

\* Depending on paper specification

# Technical Specifications



## HEIGHT

329 mm (13 in)

## WIDTH

315.5 mm (12.4 in)

## DEPTH

230 mm (9 in)



## FIXING POINTS

Ø : 6mm (0.2 in)

## Consumables

Pod has been designed to take a variety of paper rolls with the following specification range:

- Core diameter: 38 mm
- Roll width: up to 210 mm
- Roll diameter: up to 200 mm

A standard 2-ply 110 metre paper roll is available from Kennedy Hygiene. Cut sheet length 28cm.

## Materials

Constructed from ABS, other engineering thermoplastics and metal fabrication where necessary for strength and reliability. The cabinet can be recycled or disposed of in accordance with local regulations.

## Packaging

Two cabinets are packed into a double wall box with key and instruction sheet. Every unit is packed in a polyethylene bag. Individual unit weight: 2.3 kg

Product	Pallet type	Packed	Quantity per	Weight	Measurements
Pod	-	Carton	2	5.2 kg (11.5 lb)	470 x 320 x 330mm (18.5 x 12.6 x 13.0in)



**Kennedy Hygiene Products Limited**

Brookside, Uckfield, East Sussex, United Kingdom TN22 1YA

T +44 (0) 1825 768141 F +44 (0) 1825 768143 E [sales@kennedy-hygiene.com](mailto:sales@kennedy-hygiene.com)

<https://kennedy-hygiene.com/>