

# JUMBO OBSIDIAN

Toilet roll dispenser made from recycled ABS plastic



| Range       | Product Code |
|-------------|--------------|
| Hand drying | TSD JMB      |

The Jumbo Obsidian is a toilet roll dispenser ideal for high to medium traffic environments. It accommodates any toilet roll with a core diameter of 56-62 mm and with an external diameter up to 280 mm.

The Jumbo includes features such as a practical inspection window to show when a refill is required, and a removable braking system which aids consumable control and minimises waste.

The Jumbo is a robust dispenser made from recycled ABS plastic and comes with responsibly sourced consumables. The toilet paper rolls are Ecolabel certified, making it an ideal product for businesses that seek to reduce their carbon footprint, while offering customers an exceptional washroom experience.

## Benefits

### Environmentally friendly

- Made from 86% recycled ABS of total plastic used
- Its components are recyclable
- Mechanical operation – no external power source required
- Toilet paper rolls are Ecolabel certified

### Control of consumables

- Removable braking system means minimal waste

### Ease of service

- Hinged cover for convenience and speed of service
- Practical inspection window shows when a refill is required
- One security key for the whole Kennedy range

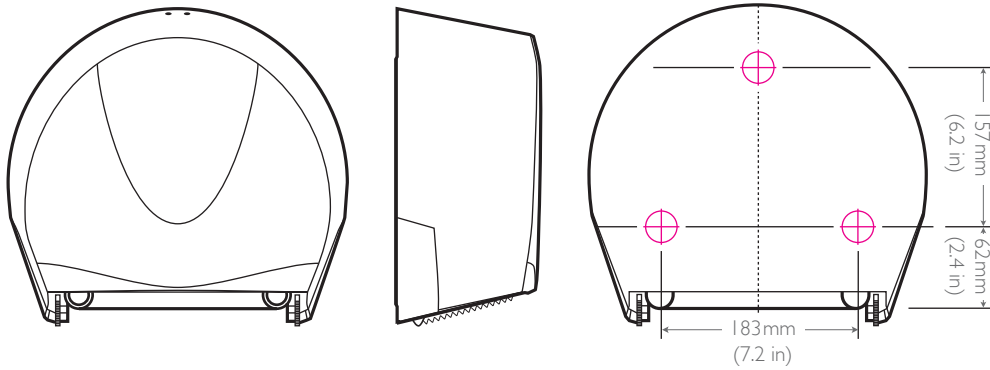
### Hygiene and end user satisfaction

- Hygienic full cover offering tissue protection
- Serrated paper tear-off from either side of the unit



INTEGRATED HYGIENE SOLUTIONS

# TECHNICAL SPECIFICATIONS



## HEIGHT

380mm (14.9 in)

## WIDTH

310mm (12.2 in)

## DEPTH

130mm (5.1 in)

⊕ **FIXING POINT**  
 Ø :6mm (0.2in)

## Consumables

- Accepts toilet tissue rolls up to Ø 280 mm (11.1 in) maximum
- Accepts core diameters 56 mm – 62 mm (2.2 - 2.4 in) and 76.2 mm - 88.9 mm (3 - 3.5 in) for the large mandrel version

## Materials

Constructed from 86% recycled ABS of total plastic used, and other engineering thermoplastics such as Acetal and Polypropylene. Dispenser can be recycled or disposed of in accordance with local regulations.

## Packaging

Individual units packed in polybags with outer sleeve around unit.

| Product        | Pallet type | Packed | Quantity per | Weight              | Measurements                                  |
|----------------|-------------|--------|--------------|---------------------|---|
| Jumbo Obsidian |             | Carton | 4            | 0.84 kg<br>(1.8 lb) | 550 x 320 x 310 mm<br>(21.6 x 12.6 x 12.2 in) |



**Kennedy Hygiene Products Limited**

Brookside, Uckfield, East Sussex, United Kingdom TN22 1YA

T +44 (0) 1825 768141 F +44 (0) 1825 768143 E sales@kennedy-hygiene.com

<https://kennedy-hygiene.com/>