

Jumbo Ellipse

Toilet roll dispenser



Range

Toilet tissue

Product Code

TSD JMB ELP and TSD JMB LRG MDR

Jumbo Ellipse is a toilet roll dispenser ideal for high to medium traffic environments. The unit comes in two versions:

TSD JMB ELP accommodates any roll with a core diameter 56 - 62 mm (2.2 – 2.4 in) and an external diameter up to 280 mm (11.1 in).

TSD JMB LRG MDR accommodates toilet rolls with a core diameter of 76.2 - 88.9 mm (3 – 3.5 in) and an external diameter up to 280 mm (11.1 in).

Features such as a practical inspection window have been incorporated to aid service, while a removable braking system enables consumable control and minimizes waste.

The unit is also available with a selection of customised inserts and in Kennedy's range of attractive finishes¹.

Finishes available

- Arctic White
- Chrome
- Designer Grey
- Satin

Customised insert designs available

- White
- Turquoise
- Red
- Beige
- Metal
- Carbon
- Wood
- Water drops

¹ Customised inserts are available with the Arctic white finish. Designer and chrome finishes come with a black insert.

Benefits

Ease of service

- Hinged cover for convenience and speed of service
- Practical inspection window shows when a refill is required
- One security key for the whole Kennedy range

- Angled top of dispenser to prevent cigarette burn damage
- Dispenser can be sited on left or right hand side of cubical

Control of consumables

- Removable braking system means minimal waste

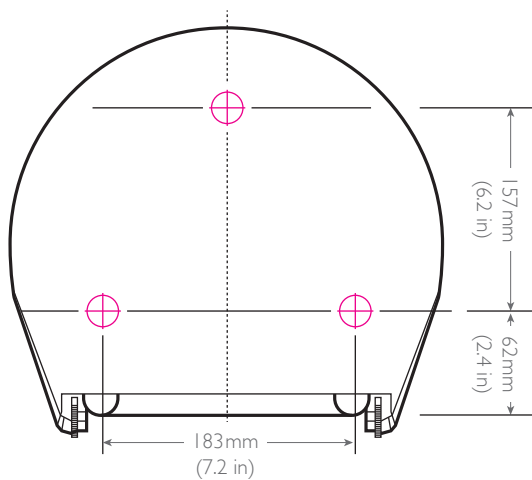
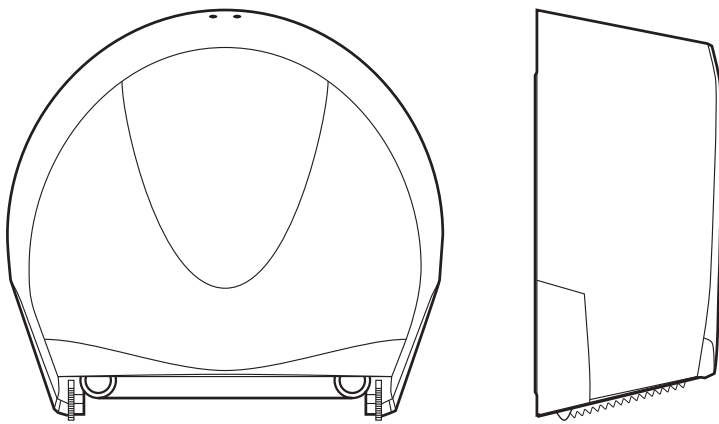
End user satisfaction

- Hygienic full cover offering tissue protection
- Serrated paper tear-off from either side of the unit



INTEGRATED HYGIENE SOLUTIONS

Technical Specifications



HEIGHT
293mm (11.5 in)

WIDTH
312.5mm (12.3 in)

DEPTH
132mm (5.2 in)

⊕ FIXING POINTS
Ø : 6mm (0.2 in)

Consumables

- Accepts toilet tissue rolls up to Ø 280 mm (11.1 in) max.
- Accepts core diameters 56 mm – 62 mm (2.2 - 2.4 in) and 76.2 mm - 88.9 mm (3 - 3.5 in) for the large mandrel version

Materials

Constructed from ABS and other engineering thermoplastics. Dispenser can be recycled or disposed of in accordance with local regulations.

Packaging

Individual units packed in polybags with outer sleeve around unit.

Product	Pallet type	Quantity per pallet	Packed	Quantity per carton	Weight individual	Weight of carton	Measurement carton dimensions
Jumbo Elipse	Standard	168	Carton	4	0.84kg (1.8lb)	4.00kg (8.8lb)	550 x 320 x 310 mm (21.6 x 12.6 x 12.2 in)



Kennedy Hygiene Products Limited

Brookside, Uckfield, East Sussex, United Kingdom TN22 1YA

T +44 (0) 1825 768141

F +44 (0) 1825 768143

E sales@kennedy-hygiene.com

<https://kennedy-hygiene.com/>