

# INTEGRA OBSIDIAN

Best-selling cotton towel cabinet made from recycled ABS plastic



## Range

Hand drying

## Product Code

CAB ITG

The Integra Obsidian is a practical and stylish cabinet that has been designed with the environment in mind. Made from recycled ABS plastic, Integra Obsidian is ideal for even the busiest washrooms.

It is a highly robust and reliable hand drying unit, which is available with responsibly sourced consumables. This product is ideal for businesses seeking to reduce their carbon footprint, while offering customers an exceptional washroom experience.

## Benefits

### Hygiene and image

- The clean towel portion is isolated from the used towel
- Modern design
- Luxurious hand drying experience with 100% cotton
- Simple hand drying operation

### Environmentally friendly

- The cabinet is made from 73% recycled ABS of total plastic used
- Its components are recyclable
- Mechanical operation – no external power source required
- Cotton towels are 1.5 times less harmful to the environment than paper equivalents \*

### Ease of service

- Minimum maintenance required, with easy availability of spare parts
- Instant towel check through transparent reservoir
- Lock can be located on either side to maximise fitting options
- Lock uses key common with other products in the range

### Reliability and durability

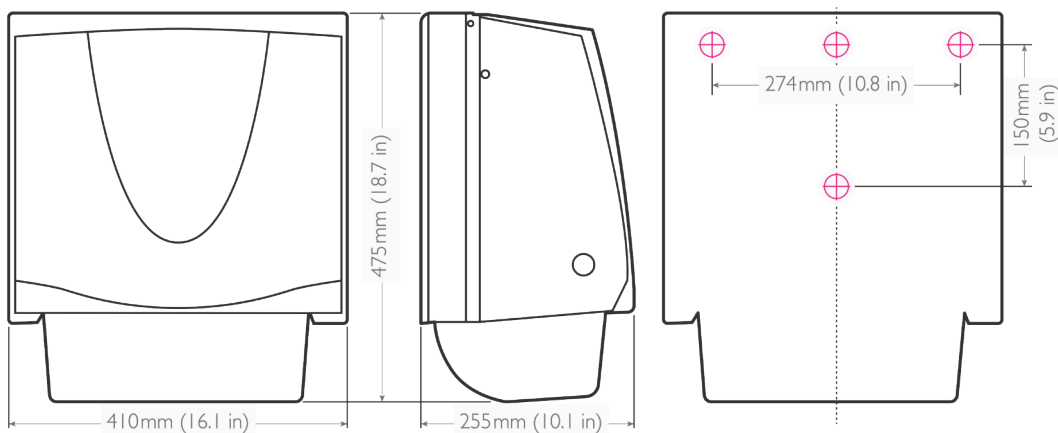
- 40-years experience in cabinet engineering
- Ultra robust and long lasting mechanism with steel gears
- Self-supporting lid with tamper-proof snap lock
- Lockable cabinet to prevent unauthorised access
- Strong transparent towel bin made of ABS plastic



INTEGRATED HYGIENE SOLUTIONS

\* Source ETSA lifecycle analysis study 2007

# TECHNICAL SPECIFICATIONS



**HEIGHT**  
475mm (18.7 in)

**WIDTH**  
410mm (16.1 in)

**DEPTH**  
255mm (10.1 in)

**FIXING POINTS**  
Ø : 6mm (0.2 in)

## Consumables

The Integra is designed to be used with 40m long standard towel, up to a max width of 270mm.

The 40m cotton towel provides 200 towel portions.

Towel usage / service frequency:

- Medium to high traffic
  - 4-5 users per cabinet 3 times per day = towel change every 2 weeks
  - 8-10 users per cabinet = weekly towel change

## Materials

Backplate made from steel and painted black.

The cabinet is made from 73% recycled ABS of total plastic used.

## Packaging

Two cabinets are packed into a double wall box with key and instruction sheet.

Product	Pallet	Packed	Quantity per carton/pallet	Weight kg	Measurements (carton dimensions)
Integra Obsidian		Carton	2	13.05	505 x 415 x 380mm (19.9 x 16.3 x 8.1in)
Integra Obsidian	Euro		60	421	1300 x 1000 x 2050mm (51.2 x 39.4 x 80.7in)



**Kennedy Hygiene Products Limited**

Brookside, Uckfield, East Sussex, United Kingdom TN22 1YA

T +44 (0) 1825 768141 F +44 (0) 1825 768143 E sales@kennedy-hygiene.com

<https://kennedy-hygiene.com/>