



**Kennedy**

WASHROOM HYGIENE SYSTEMS

Kennedy Hygiene Products Limited  
Brookside, Uckfield  
East Sussex, TN22 1YA  
United Kingdom  
Telephone: +44 (0)1825 768141  
Fax: +44 (0)1825 768143  
e-mail: sales@kennedy-hygiene.com  
Website: www.kennedy-hygiene.com

## **PRODUCT SPECIFICATION SHEET**

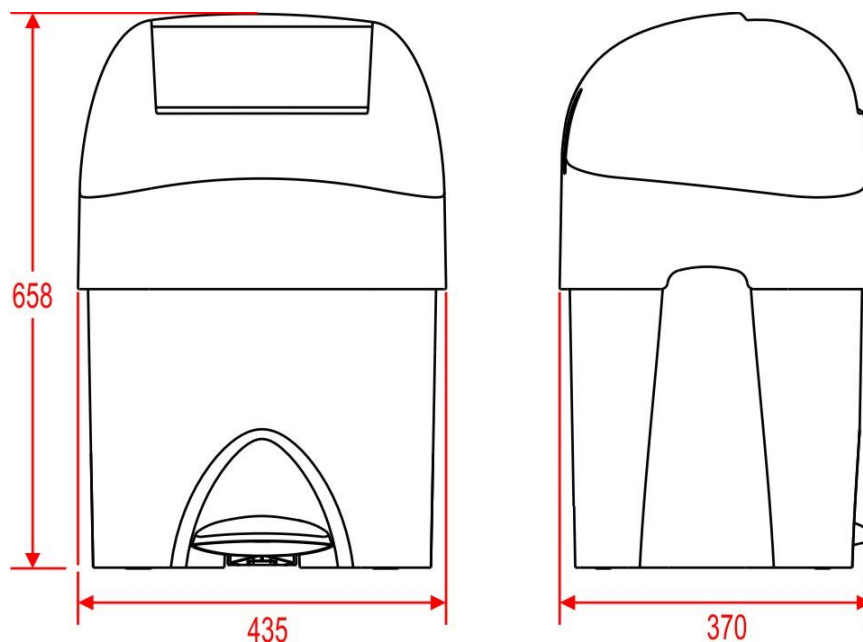
### **BAMBINA NAPPY BIN**

**KHP PART No. NAP BIN BAM UNP**

### **DESCRIPTION**

- Pedal operated container for nappies
- Cover designed to obscure contents of nappies from user
- Plastic Liner can be quickly removed for cleaning
- Capacity of container: 50 Litres

### **DIMENSIONS**



### **MATERIALS**

Constructed from mainly ABS. Dispenser can be recycled or disposed of in accordance with local regulations.

### **PACKAGING**

1 unit is packed into a double wall carton.  
Box dimensions: 37.5cm x 42.5cm x 53cm  
Individual weight boxed: 6 kg

