

Bambina

Pedal operated nappy bin



Range

Baby hygiene

Product Code

NAP BIN BAM

Bambina is a 50-litre pedal operated nappy bin, developed in response to market demand for a robust and aesthetically pleasing bin. It has a large waste holding capacity while remaining compact, modern and attractive in design.

The unit is pedal operated to ensure maximum hygiene and has a removable cover which protects the inside of the unit from soiling and can be removed for easy cleaning.

Germicidal powder sachets can be attached inside the bin. They inhibit microbial growth, prevent offensive odour and make the end user experience more pleasant.

Finishes available

White Grey Yellow

Benefits

Ease of service

- Designed throughout to minimise dirt traps/ease cleaning

Maximum hygiene

- Foot pedal for hands-free operation
- Removable cover protects inside of bin from soiling/eases cleaning

Consumables for extra hygiene

- Nappy bin liners
 - Protect hygienic bin from soiling
 - Aid faster and hygienic service
- Germicidal powder sachets
 - Inhibit microbial growth
 - Prevent offensive odour

End user satisfaction & image

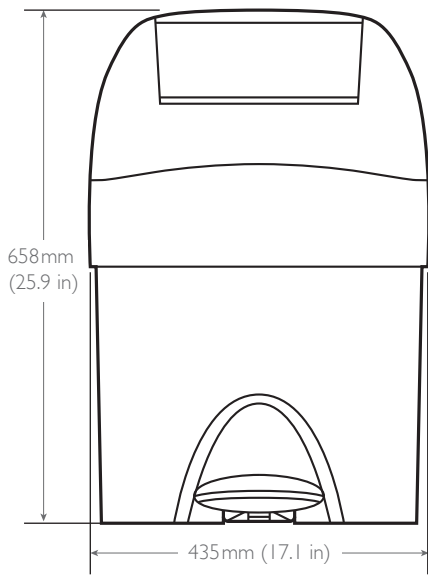
- Large centrally positioned aperture for easy nappy disposal
- Modesty flap ensures waste inside is not visible
- Compact, modern and attractive design



Kennedy

INTEGRATED HYGIENE SOLUTIONS

Technical Specifications



HEIGHT

658mm (25.9 in)

WIDTH

435mm (17.1 in)

DEPTH

370mm (14.6 in)

Materials

Constructed mainly from ABS. Dispenser can be recycled or disposed of in accordance with local regulations.

Consumables

- Nappy bin liners
- Scented germicidal powder sachets
 - inhibit microbial growth
 - prevent offensive odour
- Optional insert cover
 - Protects hygienic bin from soiling
 - Aids faster and hygienic service

Packaging

One unit is packed into a double wall carton.

Product	Pallet type	Packed	Quantity per	Weight	Measurements
Bambina	-	Carton	1	6 kg (13.2 lb)	440 x 375 x 530 mm (17.3 x 14.7 x 20.8 in)
Bambina	Standard	Pallet	18	113 kg (249.1 lb)	1200 x 1000 x 2000 mm (47.2 x 39.4 x 78.7 in)



Kennedy Hygiene Products Limited

Brookside, Uckfield, East Sussex, United Kingdom TN22 1YA

T +44 (0) 1825 768141 F +44 (0) 1825 768143 E sales@kennedy-hygiene.com

www.kennedy-hygiene.com