



Kennedy

WASHROOM HYGIENE SYSTEMS

Kennedy Hygiene Products Limited
Brookside, Uckfield
East Sussex, TN22 1YA
United Kingdom
Telephone: +44 (0)1825 768141
Fax: +44 (0)1825 768143
e-mail: sales@kennedy-hygiene.com
Website: www.kennedy-hygiene.com

PRODUCT SPECIFICATION SHEET

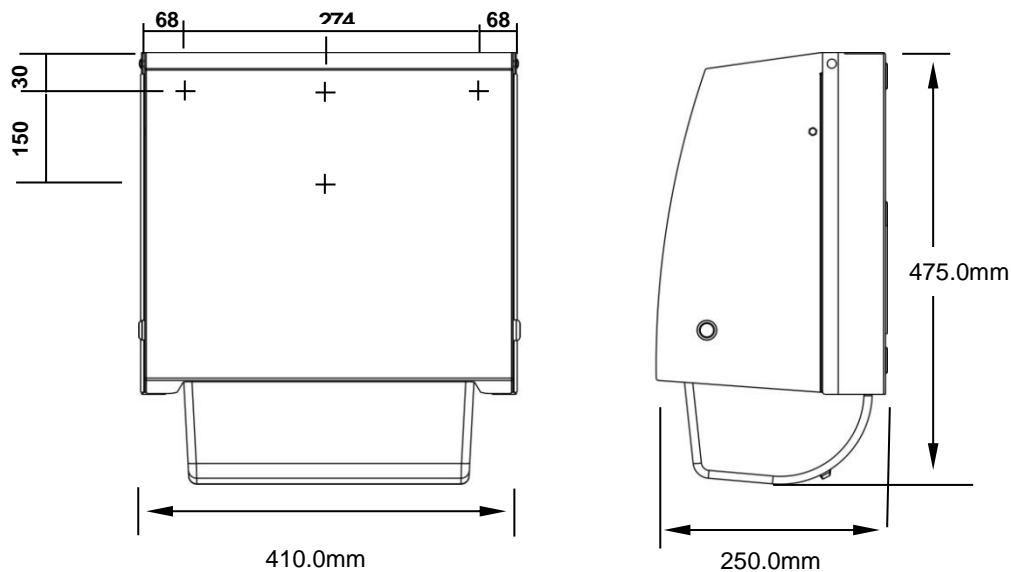
INTEGRA CABINET

KHP PART No. CAB ITG MTL

DESCRIPTION

- Stainless steel cover
- Strong transparent polycarbonate towel bin
- Designed to be used with 40M long standard towel, up to a max width of 270mm
- Tough, long lasting mechanism with steel gears
- Strong stainless steel lid supporting brackets
- Minimum maintenance required, with easy availability of spare parts
- Single right-hand lock.

DIMENSIONS



MATERIALS

Backplate made from steel and painted black. Front cover is made from 1.5mm Stainless Steel 304 DPI, various internal parts are made from ABS and other engineering thermoplastics.

PACKAGING

1 Cabinet is packed into a double wall box with a key.
Box dimensions: 39cm x 42cm x 27cm
Individual Weight boxed: 10Kg

PSS (CAB ITG MTL) April 2009



EMS 53617



FM 34822