



Kennedy

WASHROOM HYGIENE SYSTEMS

Kennedy Hygiene Products Limited
Brookside, Uckfield,
East Sussex, TN22 1YA
United Kingdom
Telephone: +44 (0)1825 768141
Fax: +44 (0)1825 768143
email: sales@kennedy-hygiene.com
Website: www.kennedy-hygiene.com

PRODUCT SPECIFICATION SHEET

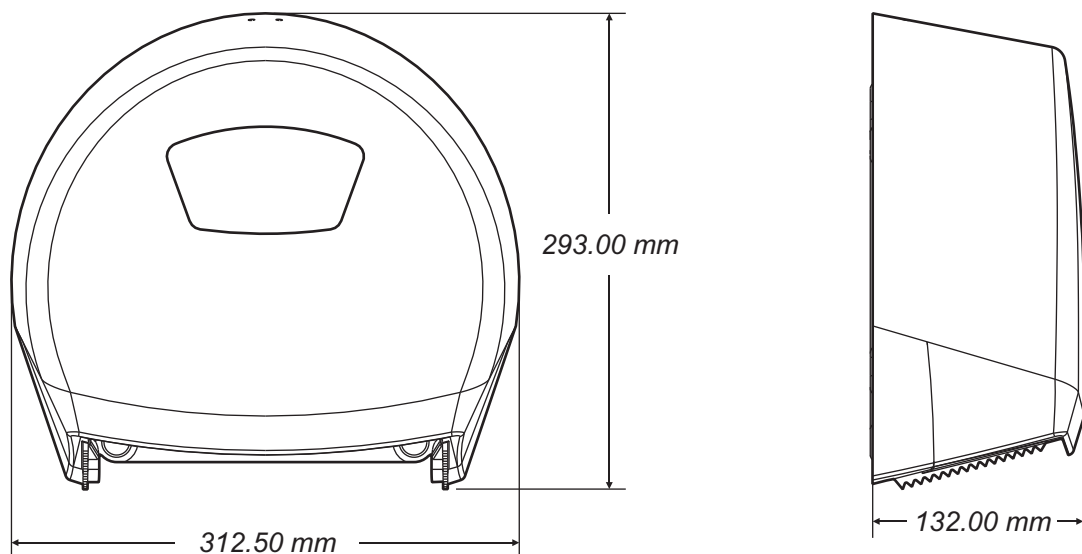
SIGMA DISPENSER

KHP Part No: TSD JMB UNP

DESCRIPTION

Accepts range of readily available Jumbo toilet rolls up to 280mm max.
Roll held on braked Mandrel, giving smooth controlled operation.
Accepts core diameters 52mm to 57mm.
Cutting teeth provide efficient paper cutting from either side.
Dampened opening of Cover.
Dispenser can be sited on left or right hand side of cubical.
Hinged Cover and locking from the top of the dispenser for security.

DIMENSIONS



MATERIALS

Constructed primarily from ABS as well as other engineering thermoplastics.
Dispenser can be recycled or disposed of in accordance with local regulations

PACKING

Individual units packed in polybags with dividers between them.
Individual weight: 0.9kg
4 units packed into carton: 545mm x 315mm x 300mm
Total weight: 4.2kg

PSS (TSD JMB UNP) OCT 2003



EMS 53617



FM 34822